

Technical Data Sheet

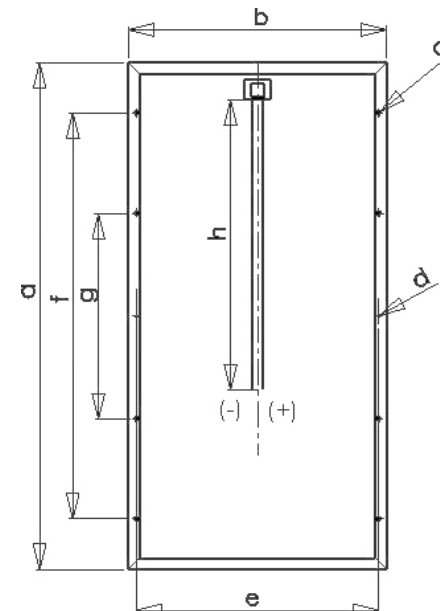
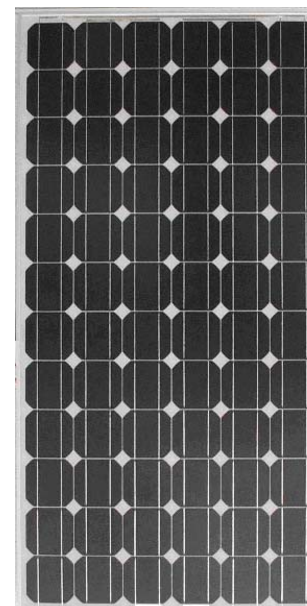
BS 180 W



bayerische solar ag

Technical Data

Type	BS 180 W
Type of Solar Cell	Mono-crystalline, 125 x 125 mm ²
Number of Cells	72 pcs
Module, Size	1580 x 808 x 45 mm
Module, Weight	15.5 kg
Junction Box	Cixi Renhe
Connector / Cross-Section TÜV.-Nr.: 50087729	PV – RH0502B / 4 mm ²
Cables, Length (+/-)	900 mm
Front Cover Glass	Safety Glass (ESG)
Front Cover Glass, Thickness	3.2 mm
Frame	Anodized Aluminium



Key

a	1580 mm
b	808 mm
c	8-Ø 9x14 mm
d	2-Ø4 mm
e	758 mm
f	1300±1 mm
g	800±1 mm
h	900 mm

Electrical Data

Maximum Power	$P_{MPP\ STC}$	180 W
Power Tolerance	Δ_{STC}	+/- 3 %
Maximum Power Voltage	$U_{MPP\ STC}$	36.0 V
Maximum Power Current	$I_{MPP\ STC}$	5.00 A
Open Circuit Voltage	$U_{OC\ STC}$	44.8 V
Short Circuit Current	$I_{SC\ STC}$	5.30 A
Module Efficiency	η_{STC}	13.7 %
Maximum System Voltage	U_{DC}	1000V

STC: Irradiance 1000 W/m²; Spectrum AM 1,5; Cell Temperature 25° C, Wind 0 m/s

Temperature Coefficients

Power Coefficient	$\alpha_k (P_{MPP})$	- 0.50 %/K
Voltage Coefficient	$\beta_k (U_{OC})$	- 0.35 %/K
Current Coefficient	$\varphi_k (I_{SC})$	0.06 %/K

Power Warranty

10 years performance warranty to 90 %

25 years performance warranty to 80 %

5 years warranty against production and material defects

Certifications

DIN EN IEC 61215, Ed. 2; DIN EN IEC 61730 , DIN EN IEC 61730-2 ,CE,Quality Insurance-1

Bayerische Solar AG
Dachauer Str. 37
80335 München
Germany

TEL +49 (0) 89 –54 55 83 35
FAX +49 (0) 89 –54 55 83 33
MAIL info@bayerischesolarag.de
WEB www.bayerischesolarag.de

Subject to change without
notice
Bayerischesolar AG, Aug. 2008

