

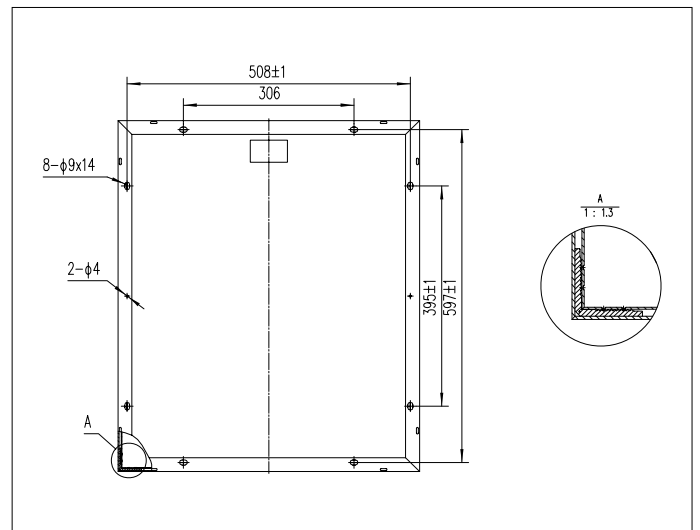
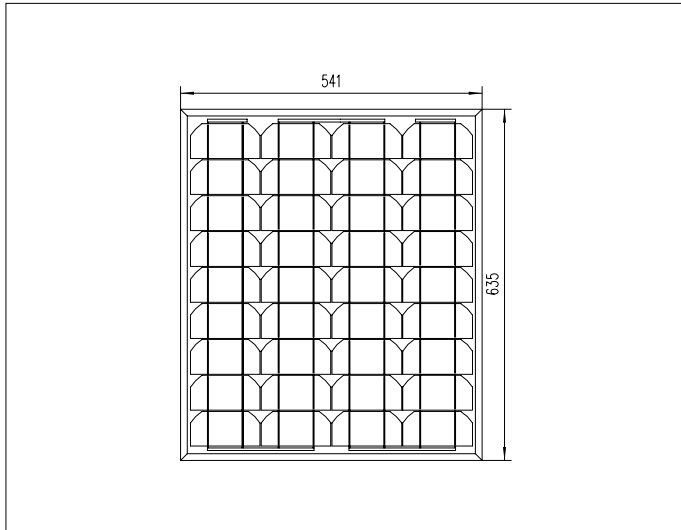


**JETION EUROPE**

*photovoltaic inspiration  
visionary green energy*



# Monocrystalline 125 x 125 Module [ JT36 S ]



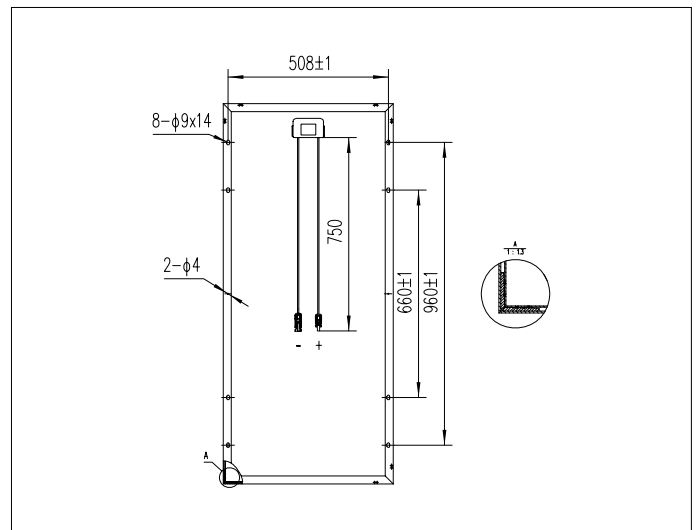
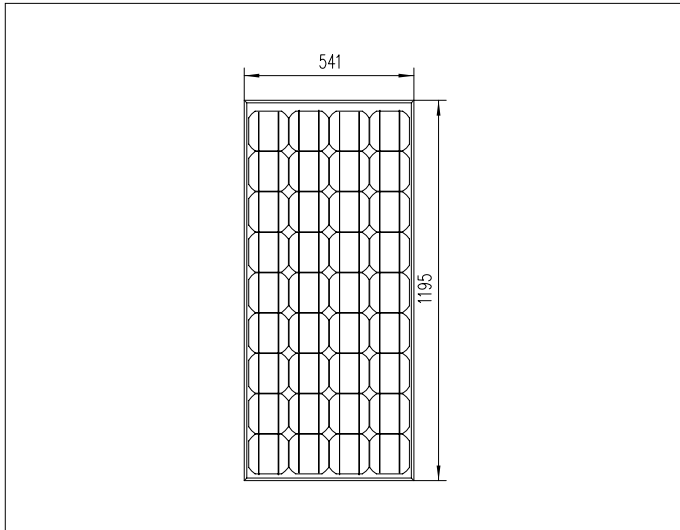
type model	JT045 (19) S635×541	JT040 (18) S635×541	JT036 (18) S635×541
(W)	45	40	36
Certificates	CE		
Cell (mm)	125 × 62.5 (1/2)		
Dimension (mm)	635 × 541 × 30		
No of cells	4 × 9		
Weight (kg)	5,5		
Max system voltage (V)	715		
Pmax (W)	45	40	36
Vmp (V)	18,5	18,2	18
Imp (A)	2,43	2,2	2
Voc (V)	22	21,8	21,5
Isc (A)	2,7	2,5	2,3

## Limits

Operating Temperature	snow pressure	wind pressure	Tolerance
-40° to +85°C	< 2000 Pa	< 3000 Pa	±3%

→ **Products** / Silicon Solar Modules

## Monocrystalline 125 x 125 Module [ JT75 S ]



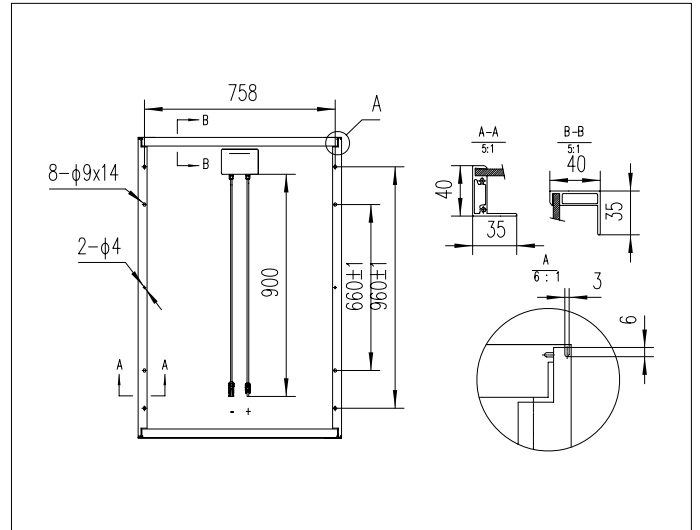
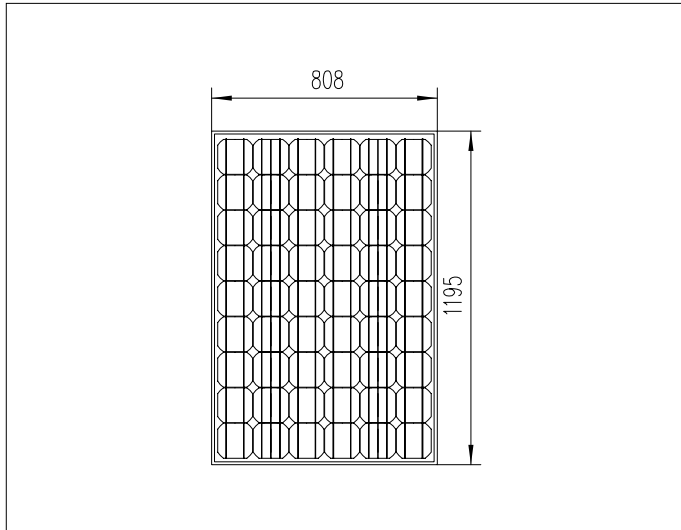
type model	JT075 (18) S1195x541	JT080 (18) S1195x541	JT085 (19) S1195x541	JT090 (19) S1195x541
(W)	75	80	85	90
Certificates	TUV (IEC61215 & Security Class II) ,CE			
Cell (mm)	125 × 125			
Dimension (mm)	1195 × 541 × 30			
No of cells	4 × 9			
Weight (kg)	8			
Max system voltage (V)	715			
Pmax (W)	75	80	85	90
Vmp (V)	17,8	18,2	18,5	18,5
Imp (A)	4,22	4,4	4,59	4,86
Voc (V)	21,6	22,1	22,2	22,4
Isc (A)	4,72	4,89	5,14	5,3

### Temperature coefficients

Voc	Isc	Pmax
-0.37%/°C	0.06% / °C	-0.43% / °C

Cabels	2 PFG 1169, 4mm <sup>2</sup>
Junction box	EN IEC 61215 TÜV certified

# Monocrystalline 125 x 125 Module [ JT100 S ]

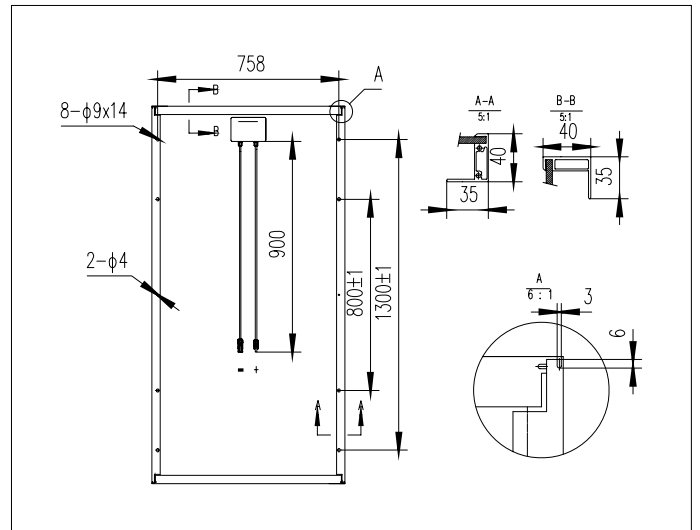
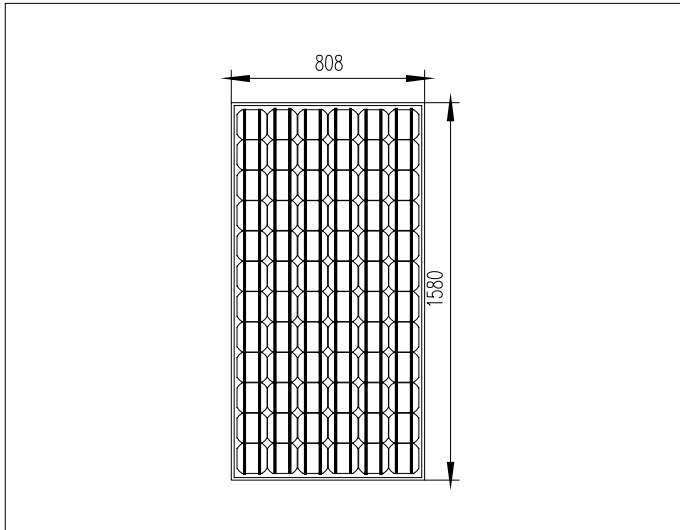


type model	JT100 (18) S1195×808	JT110 (18) S1195×808	JT120 (18) S1195×808	JT130 (19) S1195×808
(W)	100	110	120	130
Certificates	CE			
Cell (mm)	125 × 125 / 125 × 62.5			
Dimension (mm)	1195 × 808 × 40			
No of cells	4 × 9			
Weight (kg)	13,5			
Max system voltage (V)	1000			
Pmax (W)	100	110	120	130
Vmp (V)	17,6	18	18,2	18,6
Imp (A)	5,68	6,11	6,6	6,99
Voc (V)	21,5	21,8	22,1	22,3
Isc (A)	7,3	7,4	7,6	7,7

### Limits

Operating Temperature	snow pressure	wind pressure	Tolerance
-40° to +85°C	< 2000 Pa	< 3000 Pa	±3%

## Monocrystalline 125 x 125 Module [ JT155 S ]



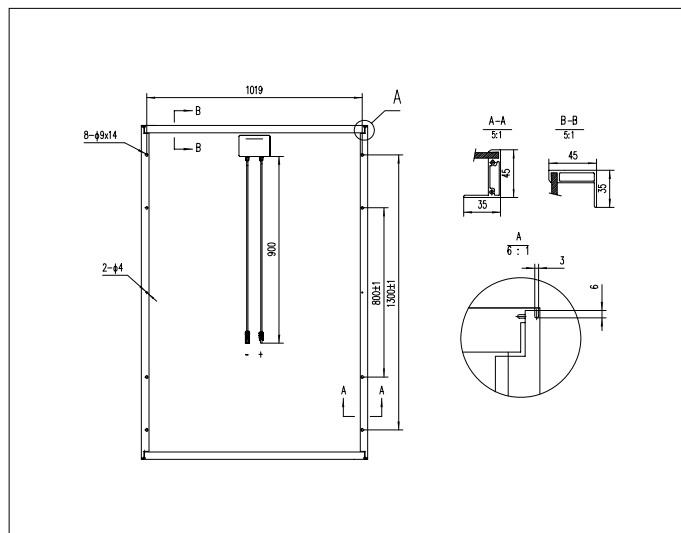
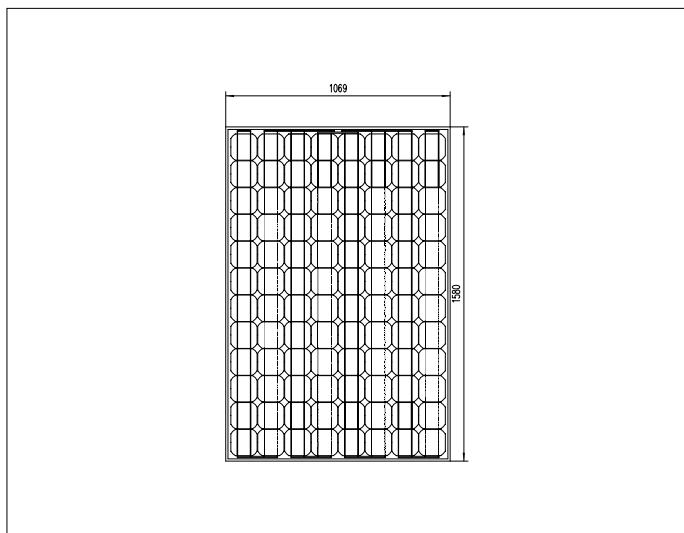
type model	JT155 (34) S1580×808	JT160 (35) S1580×808	JT165 (35) S1580×808	JT170 (36) S1580×808	JT175 (36) S1580×808	JT180 (36) S1580×808	JT185 (36) S1580×808
(W)	155	160	165	170	175	180	185
Certificates	TUV (IEC 61215 & Security Class II), CE						
Cell (mm)	125 × 125						
Dimension (mm)	1580 × 808 × 35 / 1580 × 808 × 40						
No of cells	6 × 12						
Weight (kg)	16						
Max system voltage (V)	1000						
Pmax (W)	155	160	165	170	175	180	185
Vmp (V)	34,4	34,5	35,4	35,6	35,8	36,2	36,27
Imp (A)	4,51	4,64	4,66	4,78	4,89	4,97	5,1
Voc (V)	43,2	43,2	43,6	44,2	44,2	44,2	45
Isc (A)	4,98	5,06	5,08	5,15	5,26	5,36	5,5

### Temperature coefficients

Voc	Isc	Pmax
-0.37%/°C	0.06% / °C	-0.43% / °C

Cabels	2 PFG 1169, 4mm <sup>2</sup>
Junction box	EN IEC 61215 TÜV certified

# Monocrystalline 125 x 125 Module [ JT200 S ]



type model	JT200 (48) S1580 x 1069	JT210 (48) S1580 x 1069	JT220 (49) S1580 x 1069	JT230 (49) S1580 x 1069
(W)	200	210	220	230
Certificates	VDE (IEC61215 & IEC61730), CE			
Cell (mm)	125 x 125			
Dimension (mm)	1580 x 1069 x 45			
No of cells	8 x 12			
Weight (kg)	25			
Max system voltage (V)	1000			
Pmax (W)	200	210	220	230
Vmp (V)	47,5	48,1	48,5	49,2
Imp (A)	4,21	4,37	4,54	4,67
Voc (V)	57,8	58,3	58,6	59
Isc (A)	4,8	4,91	4,95	5,03

### Limits

Operating Temperature	snow pressure	wind pressure	Tolerance
-40° to +85°C	< 2000 Pa	< 3000 Pa	±3%

**JETION EUROPE**

Pradafant 11

9490 Vaduz

Fon: +423 265 3830

Fax: +423 265 3839

E-Mail: [info@jetion.biz](mailto:info@jetion.biz)

Web: [www.jetion.biz](http://www.jetion.biz)

**JETION CHINA**

No. 1011, Zhencheng Rd.

Jiangyin 214443, P.R. China

presented by

