

Technical data sheet BS 210 W

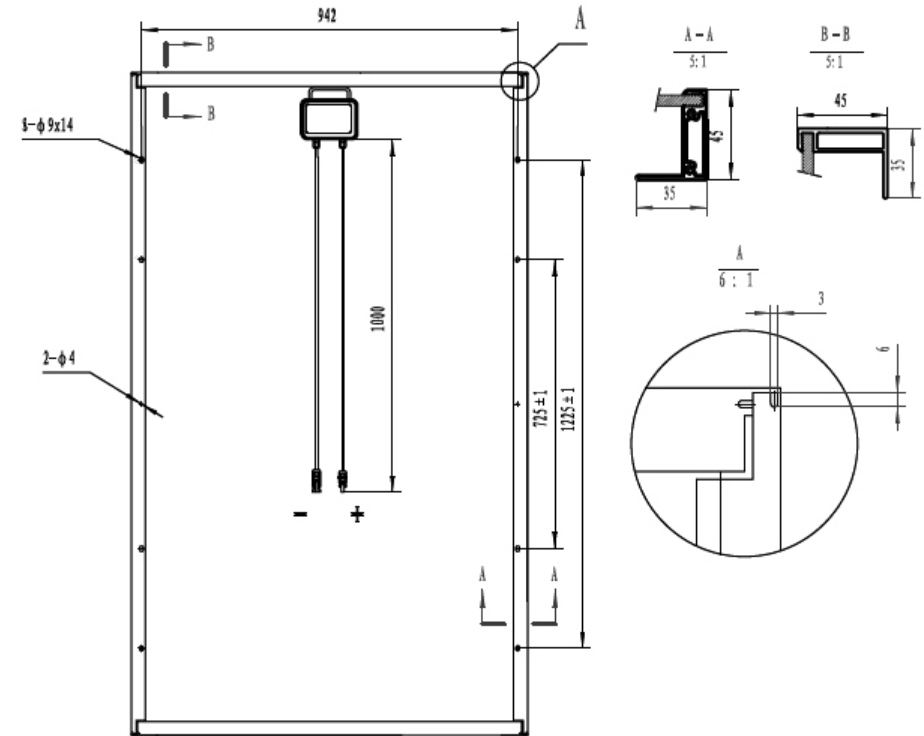
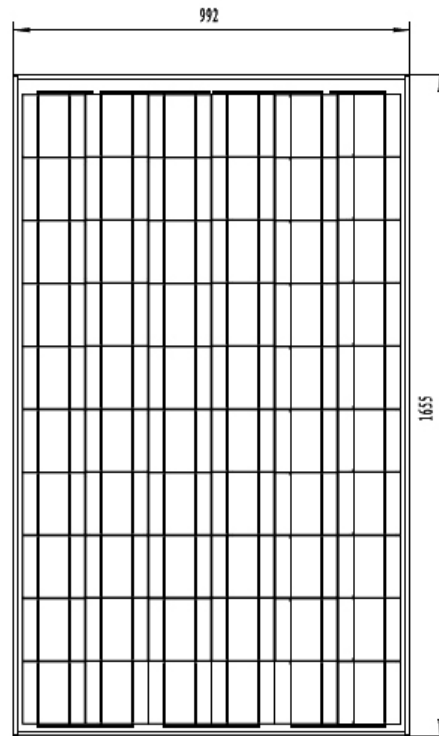
Technical data

Type	BS 210 W
Type of solar cell	Poly crystalline, 156 x 156 mm ²
Number of cells	60 pcs
Module, size	1655 x 992 x 45 mm
Module, weight	22 kg
Junction box	Cixi Renhe
Connector / Cross section TÜV-No. 50087729	MC Plug Type IV
cables, lenght +/-	900 mm
Front cover glass	Safety glass
Front cover glass, thickness	3,2 mm
Frame	Anodized Aluminium

Electrical data

Maximum power	$P_{MPP\ STC}$	210 W
Power tolerance	Δ_{STC}	+/- 3%
Maximum power voltage	$U_{MPP\ STC}$	29,40 V
Maximum power current	$I_{MMPP\ STC}$	7,15 A
Open circuit voltage	$U_{OC\ STC}$	29,40 V
Short circuit current	$I_{SC\ STC}$	7,97 A
Module efficiency	η_{STC}	14,5 %
Maximum System Voltage	U_{DC}	1.000 V

STC: Irradiance 1000W/m²; Spectrum AM 1,5; Cell temperature 25° C; Wind 0 m/s



Temperature coefficients

Power coefficient	$\alpha_K (P_{MPP})$	-0,48 %/K
Voltage coefficient	$\beta_K (U_{OC})$	-150 mV/K
Current coefficient	$\phi_K (I_{SC})$	0,055 %/K

Power warranty

10 years performance warranty to 90 %
25 years performance warranty to 80 %
5 years warranty against production and material defects

Certifications

DIN IEC 61215, DIN IEC 61730, DIN IEC 61730-2

